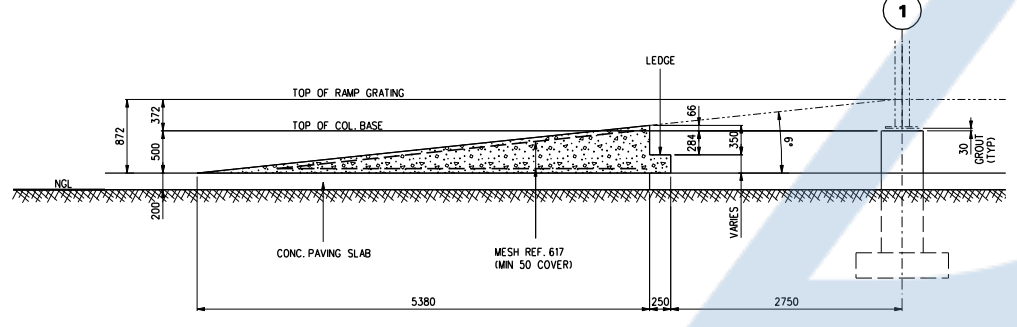
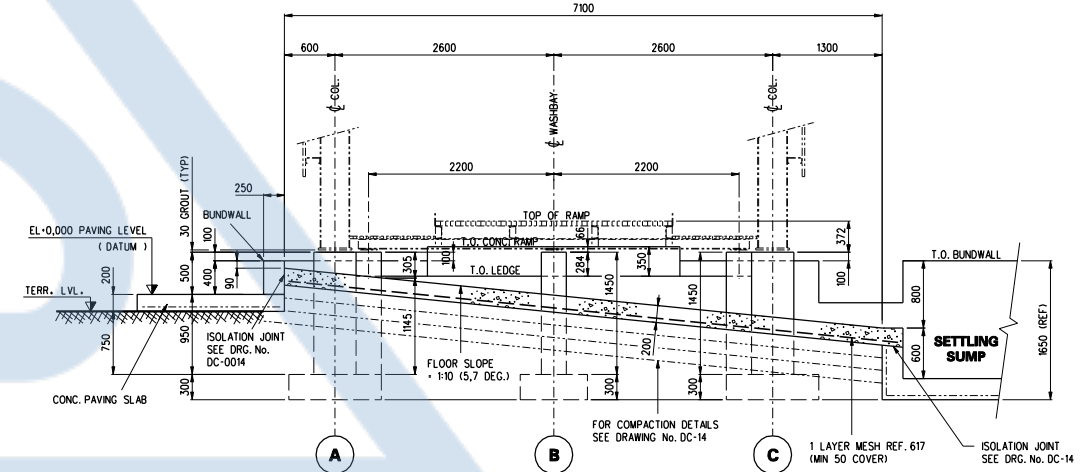


PLAN VIEW

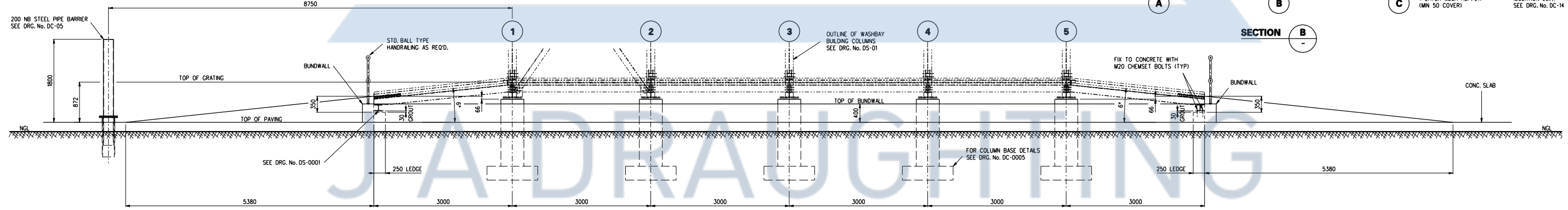


PART SECTION C
MIRROR FOR OPP. RAMP

NOTE:
ALL CIVILS TO BE IN ACCORDANCE WITH SANS
ALL CONCRETE WORK TO BE FOUNDED ON GROUND WITH A MIN. BEARING CAPACITY OF 400
CONCRETE STRENGTH TO BE MPa AT DAYS.
mm CHAMFER TO ALL EXPOSED CORNERS.
FOR JOINTS AND COMPACTION DETAILS SEE DRG. No. SNXXXXXX
ENGINEER TO CHECK ALL DIMENSIONS & LEVELS PRIOR TO POURING OF CONCRETE.
MINIMUM COVER OF 50 mm REQUIRED OVER REINFORCING.



SECTION B



ELEVATION A

REVISIONS			REFERENCE DRAWINGS	
REV No	DATE	DESCRIPTION	DRG No.	DESCRIPTION



CONTRACTOR APPROVAL		DISCIPLINE RATIFICATION		PROJECT APPROVAL	
PROFESSIONAL ENGINEER	CONTRACTOR MANAGER	SIGNATURE	DATE	SIGNATURE	DATE
NAME	NAME				
SIGNATURE	SIGNATURE				
REG. NUMBER	REG. NUMBER				
DATE	DATE				
SIGNATURE	DATE				
NAME	DATE				
DRAWN BY					
CHECK BY					

EXAMPLE
NOT FOR MANUFACTURE

DISCIPLINE RATIFICATION		PROJECT APPROVAL	
SIGNATURE	DATE	SIGNATURE	DATE
PROCESS		ENGINEERING MANAGER	
MECHANICAL		PROJECT MANAGER	
CIVIL			
STRUCTURAL			
ELECTRICAL			
INSTRUMENTATION			
SHE			

CLIENT APPROVAL		REVISION	
SIGNATURE	DATE	NO.	DESCRIPTION

WW4
EXAMPLE
ENGINEERING - CIVIL
LDV MAINTENANCE
WASHING OF LDV's
WASH BAY FLOOR SLAB DETAILS

SCALE N.T.S.
SHEET OF
A1
REVISION
AA