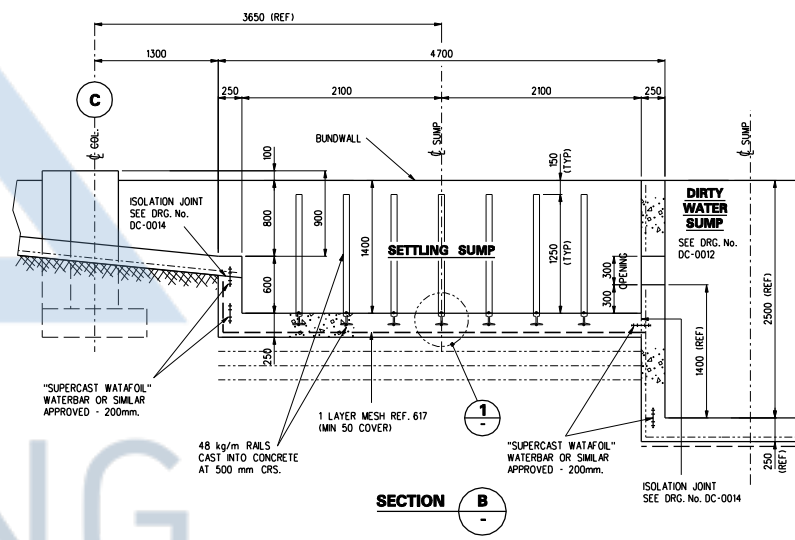
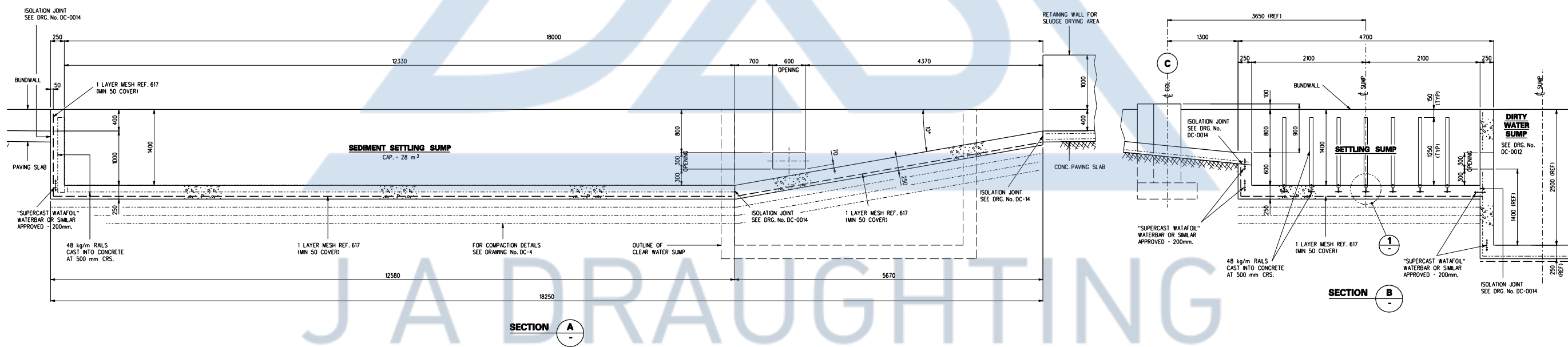


NOTE:
 ALL CIVILS TO BE IN ACCORDANCE WITH SANS
 ALL CONCRETE WORK TO BE FOUNDED ON GROUND WITH A MIN. BEARING CAPACITY OF 400
 CONCRETE STRENGTH TO BE MPa AT 28 DAYS.
 20 mm CHAMFER TO ALL EXPOSED CORNERS.
 FOR JOINTS AND COMPACTION DETAILS SEE DRG. No. SNXXXXXX
 ENGINEER TO CHECK ALL DIMENSIONS & LEVELS PRIOR TO POURING OF CONCRETE.
 MINIMUM COVER OF 50 mm REQUIRED OVER REINFORCING.



| REVISIONS | | REFERENCE DRAWINGS | |
|-----------|------|--------------------|---------|
| REV No | DATE | DESCRIPTION | DRG No. |
| | | | |
| | | | |
| | | | |
| | | | |
| | | | |

JA DRAUGHTING
 E-MAIL: jadraughting@gmail.com

CONTRACTOR APPROVAL

PROFESSIONAL ENGINEER

NAME _____

SIGNATURE _____

REG. NUMBER _____

DATE _____

CONTRACTOR MANAGER

SIGNATURE _____

DATE _____

EXAMPLE
NOT FOR MANUFACTURE

THIS DRAWING IS THE PROPERTY OF _____

| DISCIPLINE RATIFICATION | SIGNATURE | | DATE | |
|-------------------------|-----------|--|------|--|
| | PROCESS | | | |
| MECHANICAL | | | | |
| CIVIL | | | | |
| STRUCTURAL | | | | |
| ELECTRICAL | | | | |
| INSTRUMENTATION | | | | |
| SHE | | | | |

WW3

EXAMPLE ENGINEERING - CIVIL
LDV MAINTENANCE
WASHING OF LDV's
SEDIMENT SETTLING SUMP DETAILS

SCALE N.T.S.

SHEET OF _____

A1

REVISION AA